

FLAT PANEL MOUNTS

Tilting Wall Mounts

P2642T

Tilting Low-Profile Mount for Flat-Panels up to 42"



26"-42"



130 lbs. (56 kg)



1.97" (50mm)



10°



525 x 400mm

NEW

Post-Installation Leveling
Enables vertical adjustment after installation

Mounting Arrow
The integral Mounting Arrow at the top of the wall plate identifies the mount center to facilitate placement

Horizontal Adjustment
Built-in lateral shift allows for flexible placement of flat-panel

Adjustable Tilt
10° of continuous tilt puts your flat-panel at the perfect viewing angle

Open Design
Allows for easy cable routing and access to power receptacles

Low-Profile Design
Holds flat-panel less than 2" from the wall

Versatile Installation
Can be installed on 16" and 18" studs

Precise Alignment
Vertical Alignment Notch aids in placing flat-panel at the correct viewing height

Safety
Capture screws secure flat-panel to wall plate



Includes Lock-It™ Barrel

(Padlock not included)

FEATURES

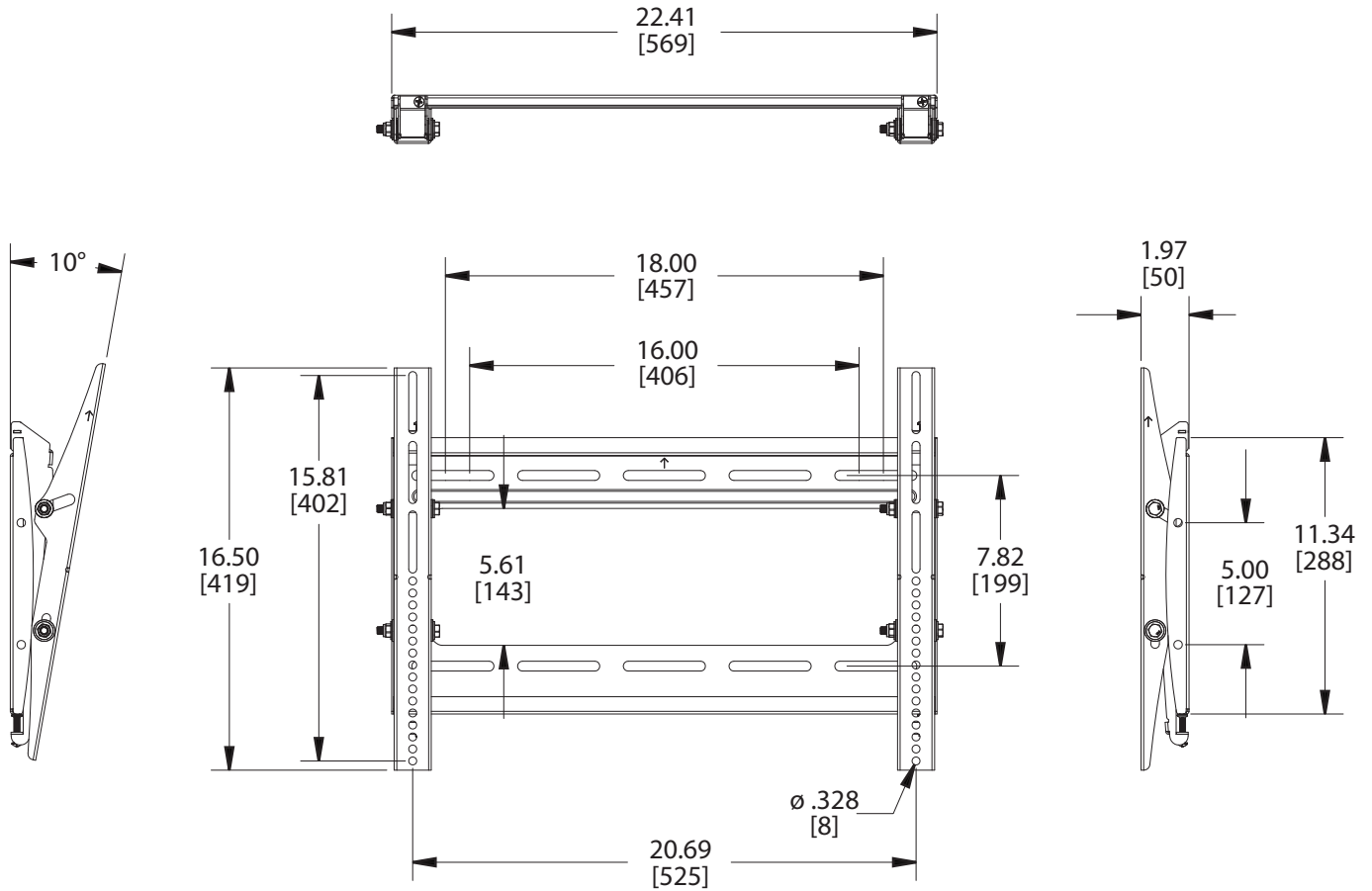
- Low-profile design
- Post-installation leveling system
- Open design for easy cable and electrical access
- Built-in lateral shift
- Universal hardware pack includes innovative universal spacers and M4-M8 screws
- Mounting kit includes wood, concrete and steel stud attachment hardware

SPECIFICATIONS

Model	P2642T
Display Range	26"-42"
Weight Capacity	130 lbs. (56 kg)
Depth	1.97" (50mm)
Tilt	10°
Mounting Patterns	200 x 200mm (Min) - 525 x 400mm (Max)



DIMENSIONAL DRAWING



Dimensions in inches and millimeters [mm].
Drawings subject to change without notice.

ACCESSORY OPTIONS

GB-INWAVP

In-wall AV Power GearBox™



PCB-CSL1

Cable Lock



FAQ

What if I don't know my mounting pattern?

Check the mount locator tool on www.mounts.com to see a list of compatible mounts or select a universal mount, which fits a broader range of mounting points.

Can I mount any pattern smaller than 200 x 200mm?

Technically, yes. However, placing the mounting brackets too close together can induce some unintentional wobble (think about standing with your feet together versus wide apart). We recommend using one of our VESA mounts for patterns inside of 200 x 200mm.

Why do I need lateral shift?

Let's face it, studs are seldom where you need them to be. Lateral shift gives you that extra "wiggle room" needed to shift the flat-panel exactly where you need it.